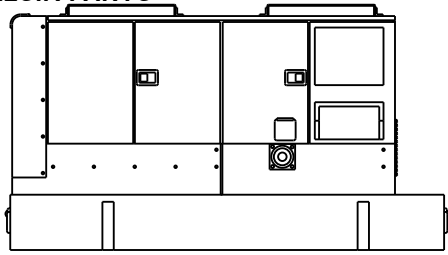
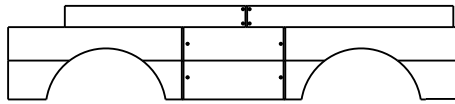


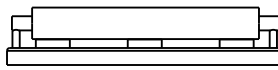
RESIN PARTS



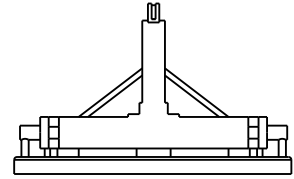
1



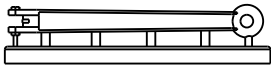
2 X2



3



4



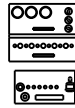
5



6 X4



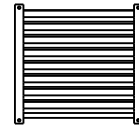
7 X4



8



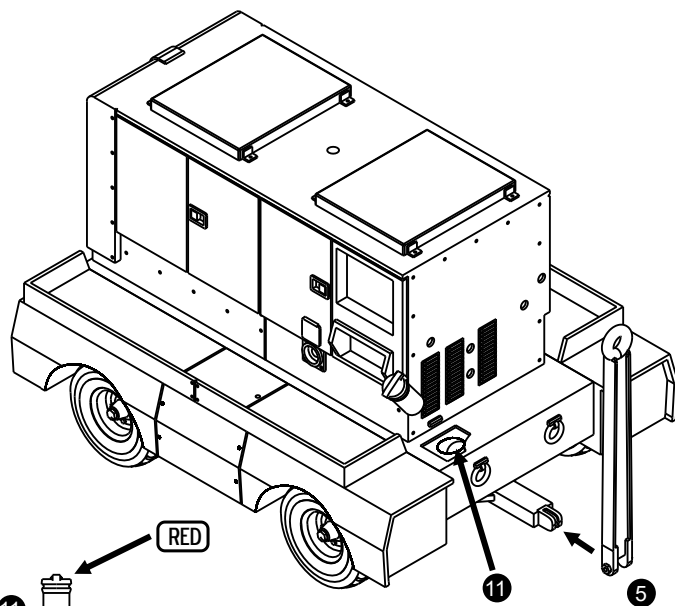
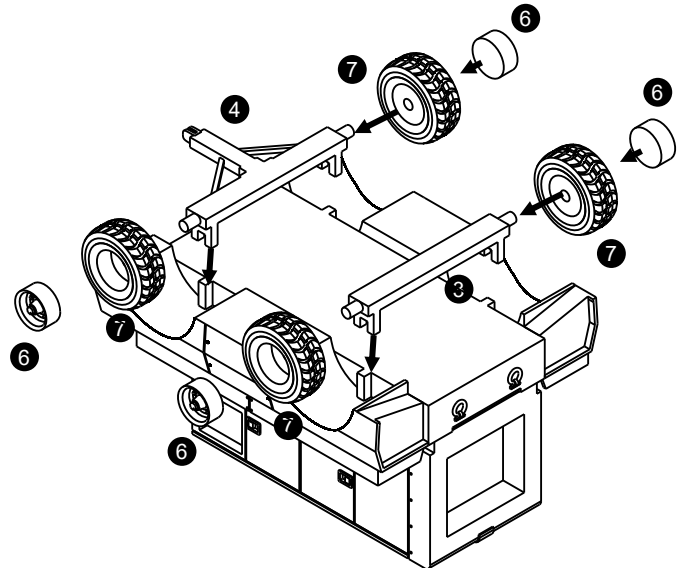
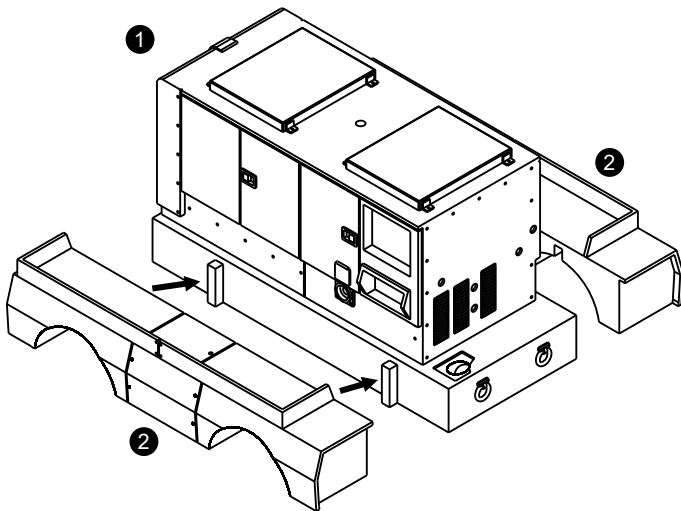
9



10

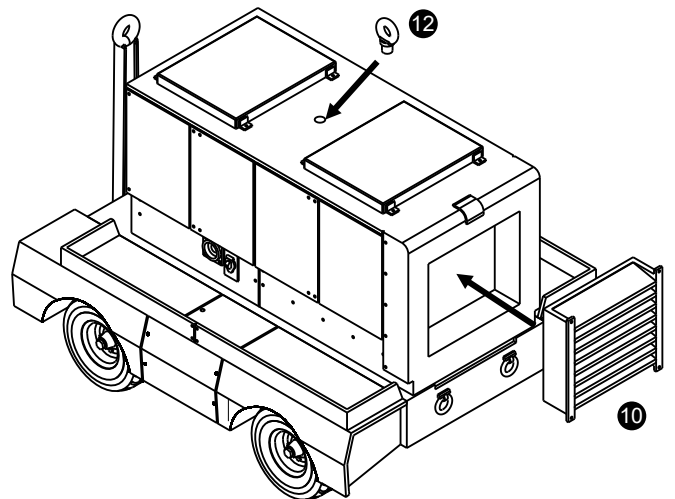


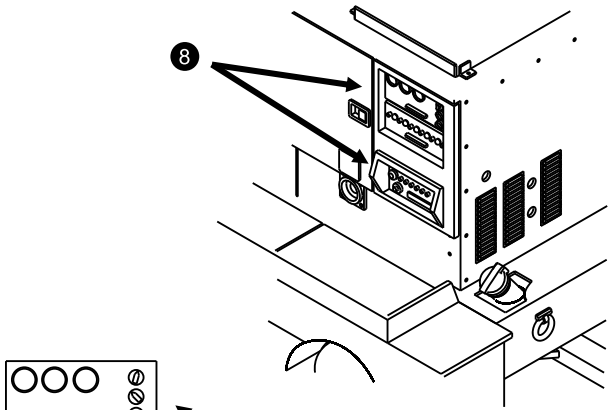
11 12



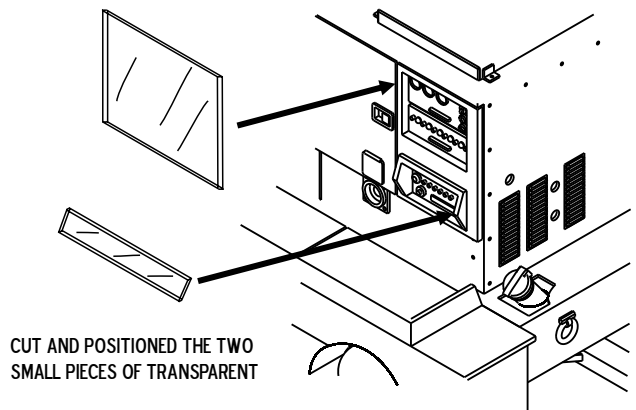
RED

SILVER





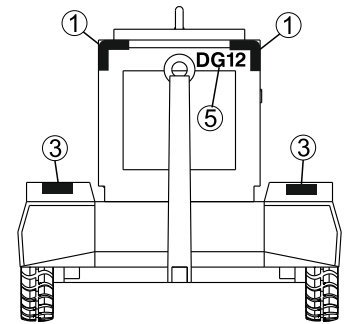
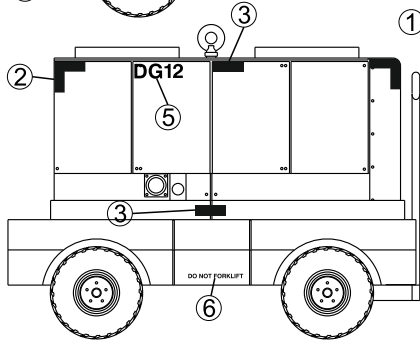
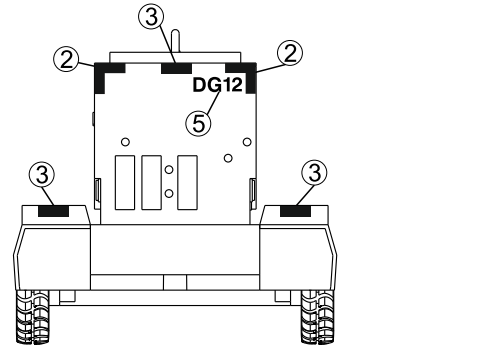
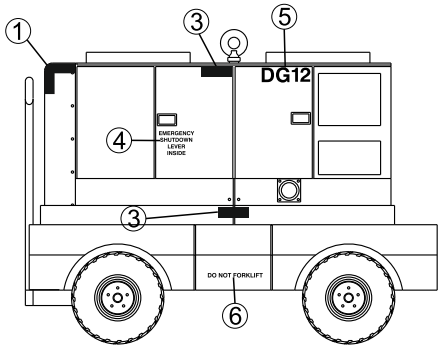
PAINT THE BOTTOM OF THE PANEL BLACK
GAUGES & KNOBS WHITE.



CUT AND POSITIONED THE TWO
SMALL PIECES OF TRANSPARENT

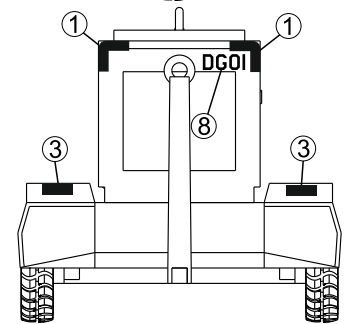
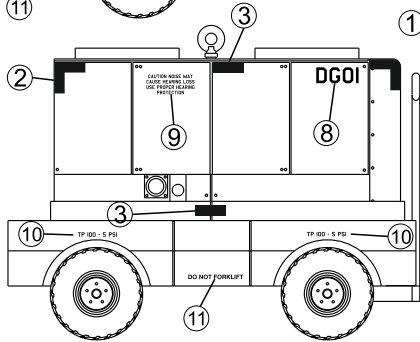
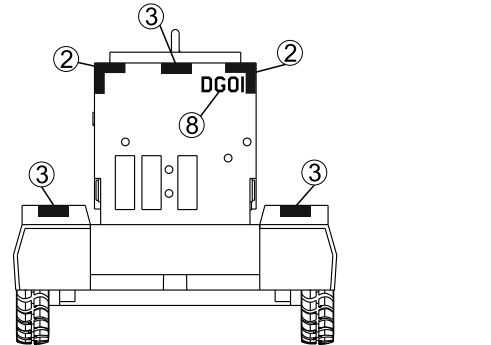
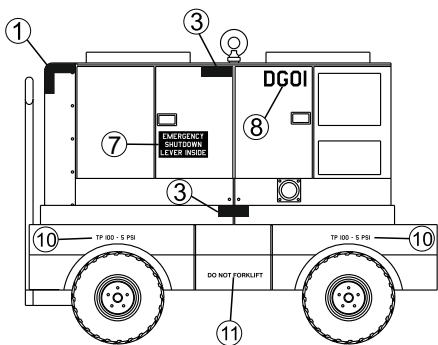
RUBBER CABLE

A



GREEN FS 34079

B



GREY FS 26173



