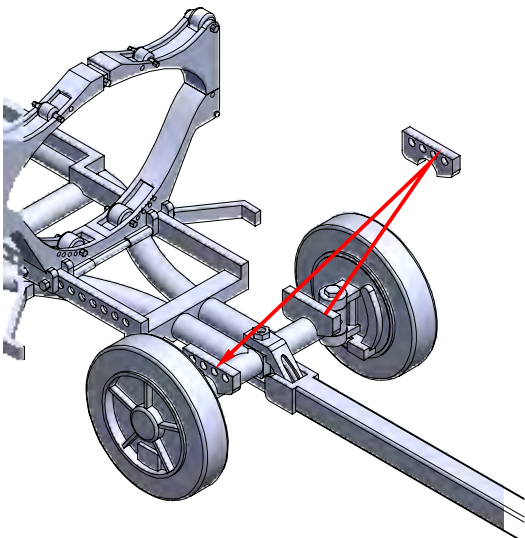
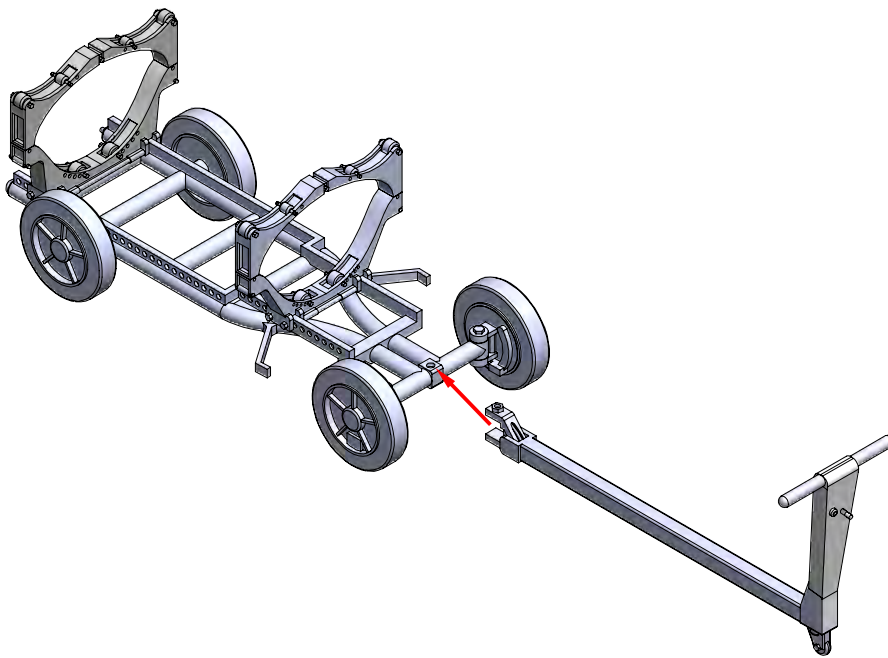
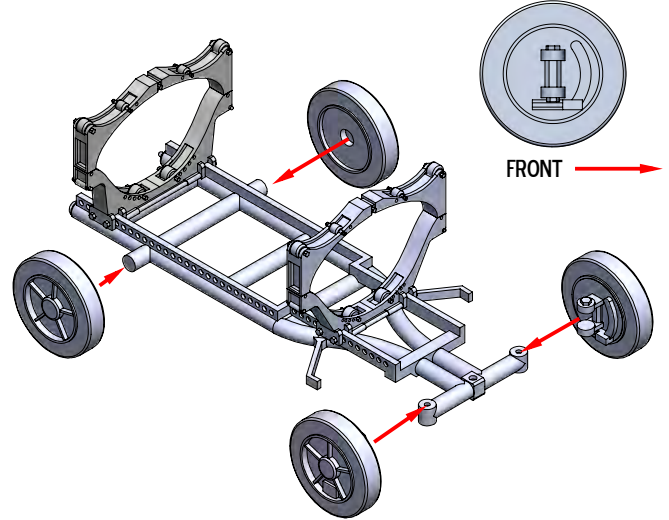
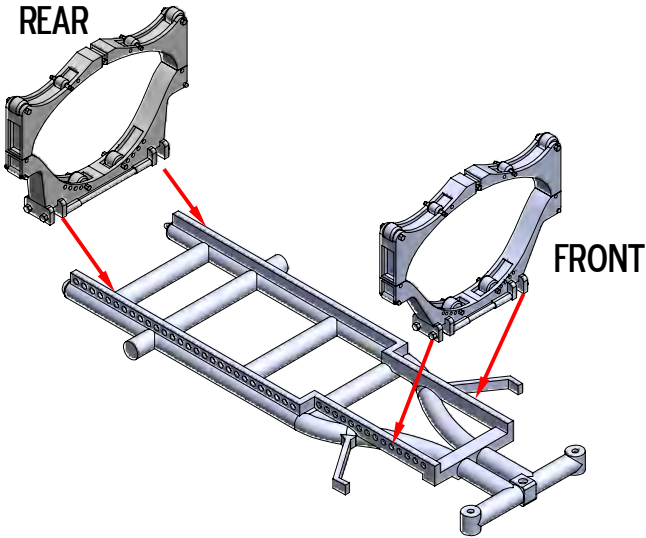
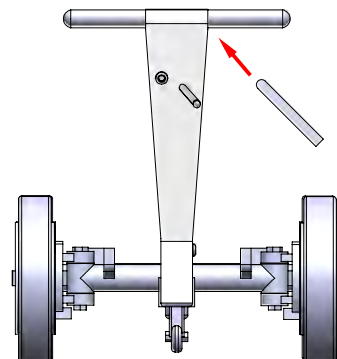


164832

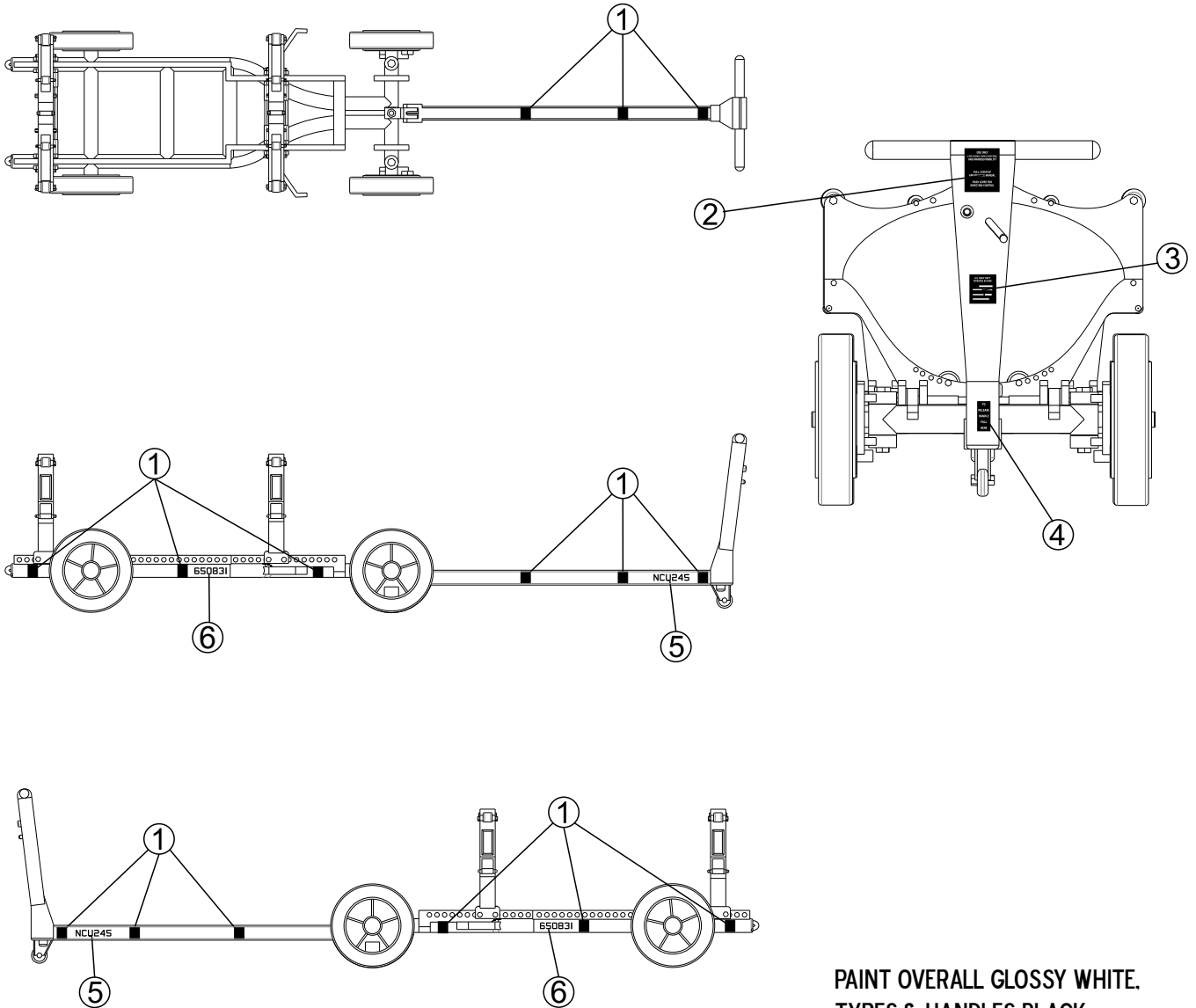
REAR



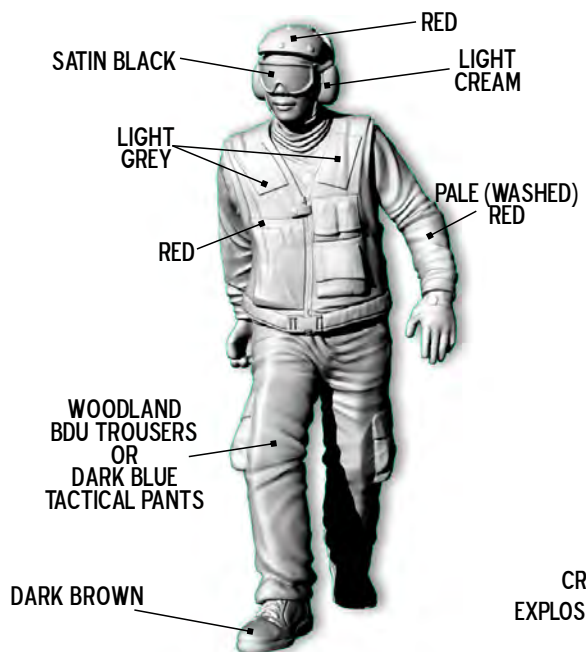
IF YOU USE THE FIGURES DON'T
INSTALL THE RIGHT LEVER



MHU-191/M PAINTING & DECAL PLACEMENT



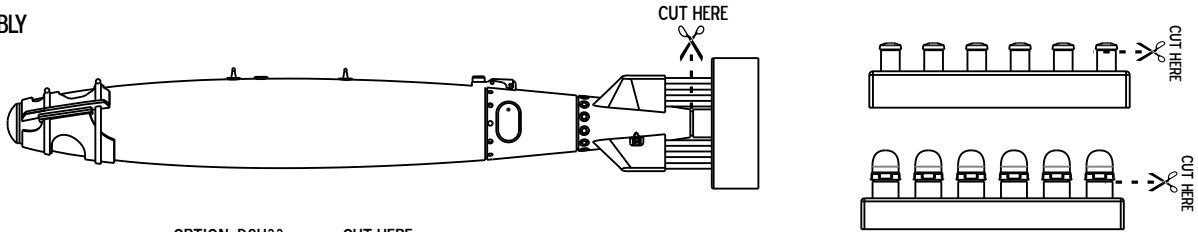
**PAINT OVERALL GLOSSY WHITE.
TYRES & HANDLES BLACK.
ROLLERS ORANGE OR YELLOW**



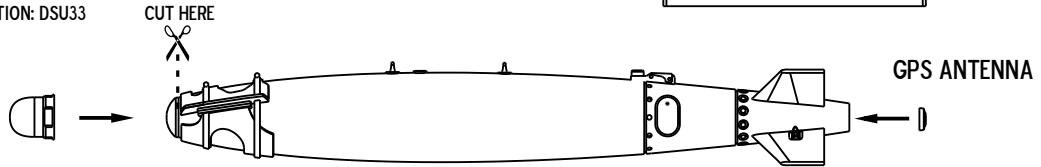
**ORDNANCEMEN
CRASH AND SALVAGE CREWS
EXPLOSIVE ORDNANCE DISPOSAL (EOD)**



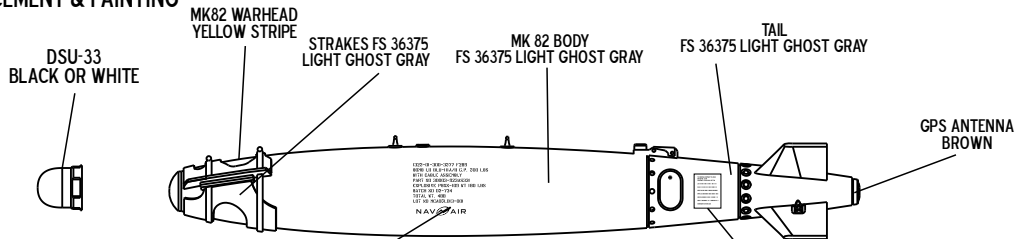
ASSEMBLY



OPTION: DSU33



DECAL PLACEMENT & PAINTING



1325-10-300-3577 F200
BOMB LID BLU-11A/B G.P. 500 LBS
PART NO 3000-322AN201
EXPLOSIVE PHNX-105 KT 100 LBS
BATCH NO 05-734
TOTAL WT. 400
LOT NO NGA0SL03-010

NAVY AIR

THE ABOVE INFORMATION IS FOR
IDENTIFICATION PURPOSES ONLY
DO NOT USE FOR IDENTIFICATION
OR FOR ANY OTHER PURPOSE
THIS INFORMATION IS UNCLASSIFIED
DATE 11/08/2011 BY 60322 UCBAW/BK
AUTHORITY 33 CFR 115.6

