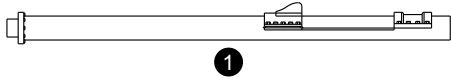
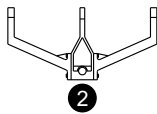


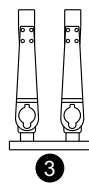
RESIN PARTS



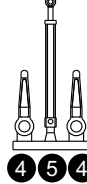
1



2



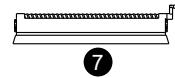
3



4 5 4



6



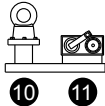
7



8



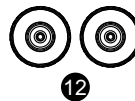
9



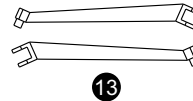
10



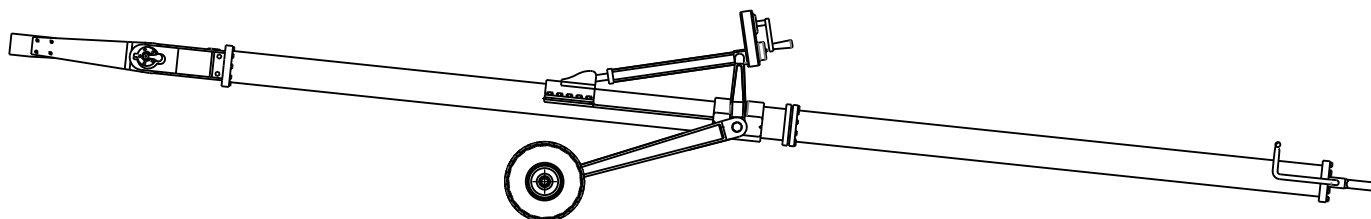
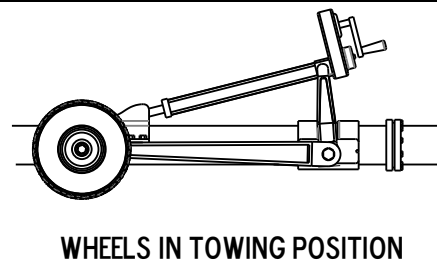
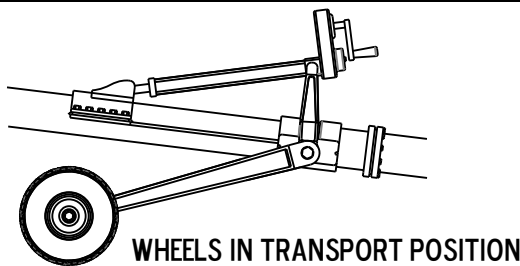
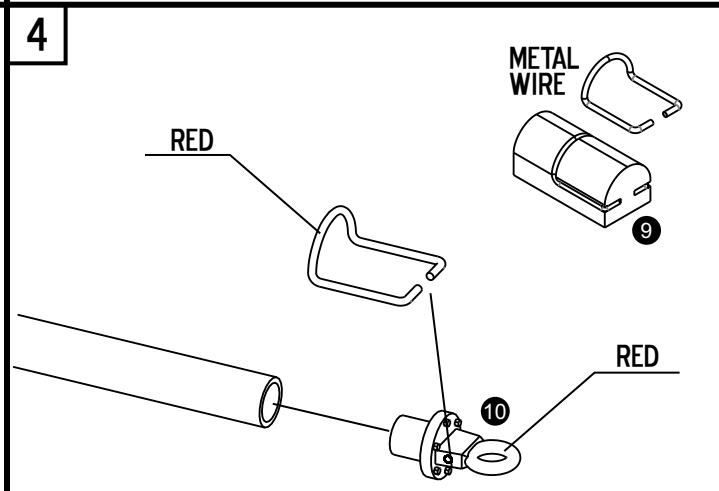
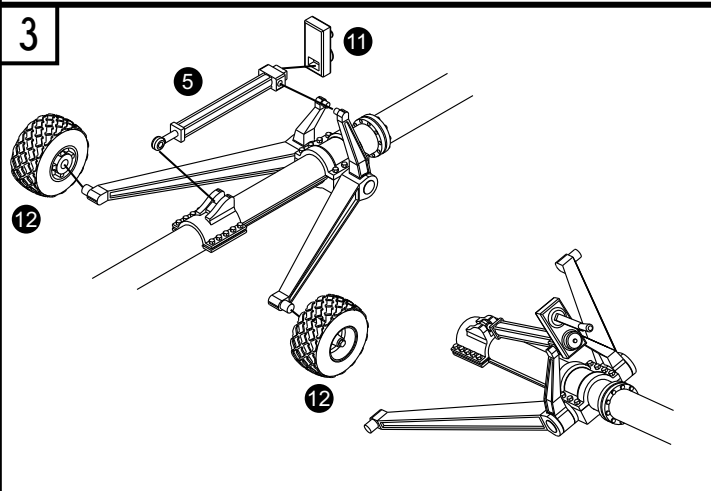
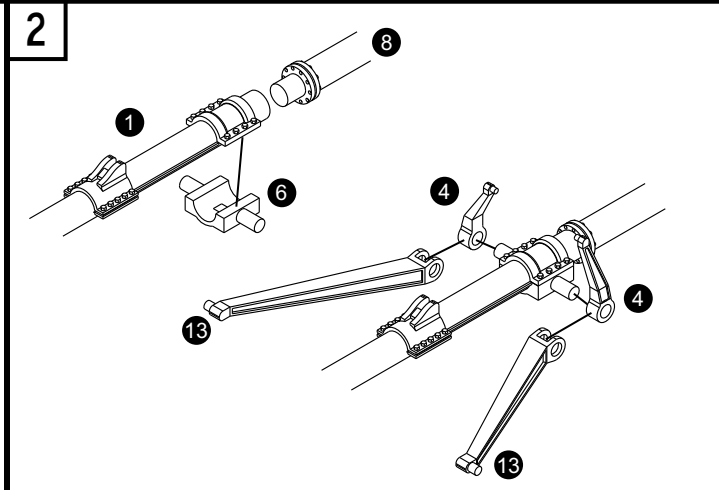
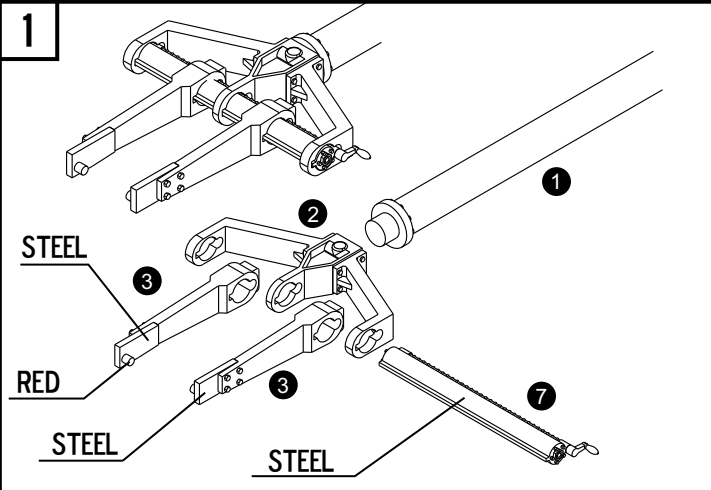
11



12



13



PAINT OVERALL IN GREEN FS 24052 (MID-'80S ONWARDS)
OR GREY FS 26173 (CURRENT) EXCLUDING THE PARTS
SPECIFIED IN THE INSTRUCTIONS. I RECOMMEND