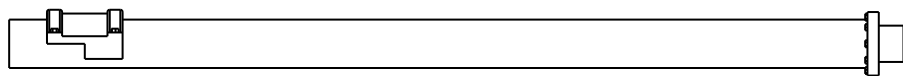
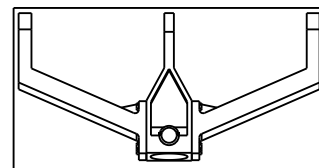


RESIN PARTS

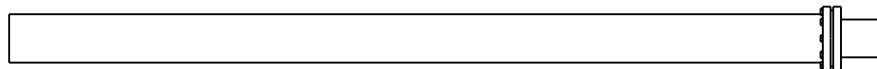
198332



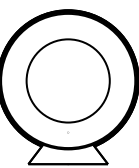
1



3



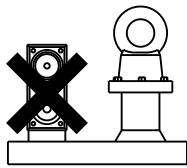
2



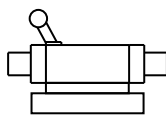
4 X2



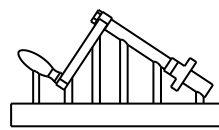
5 X2



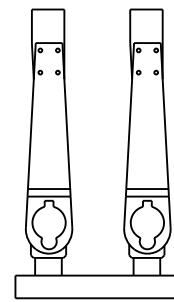
6



7



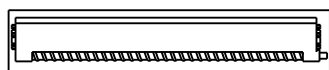
8



9



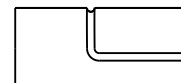
10



11

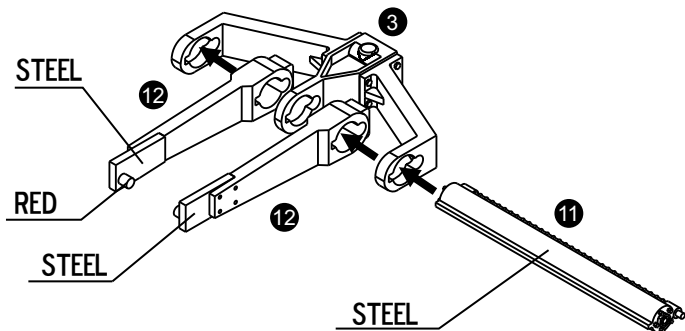


12 X2

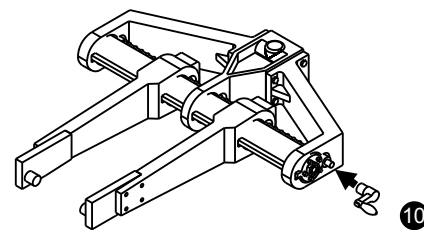


13

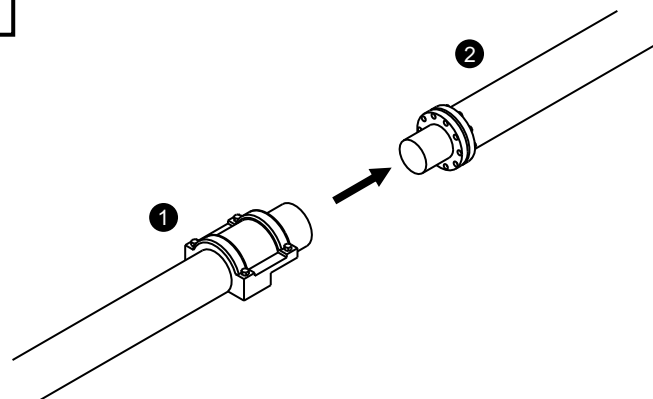
1



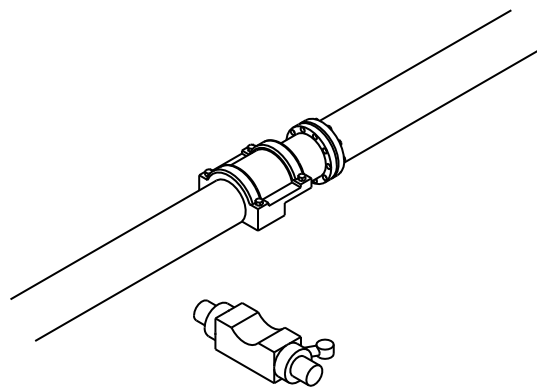
2

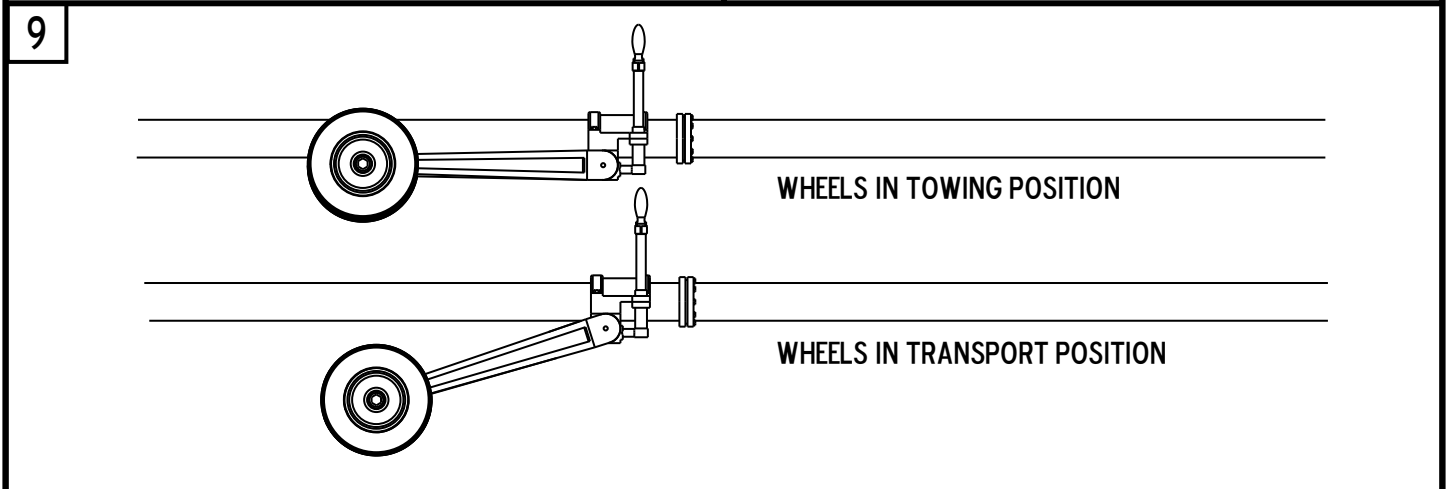
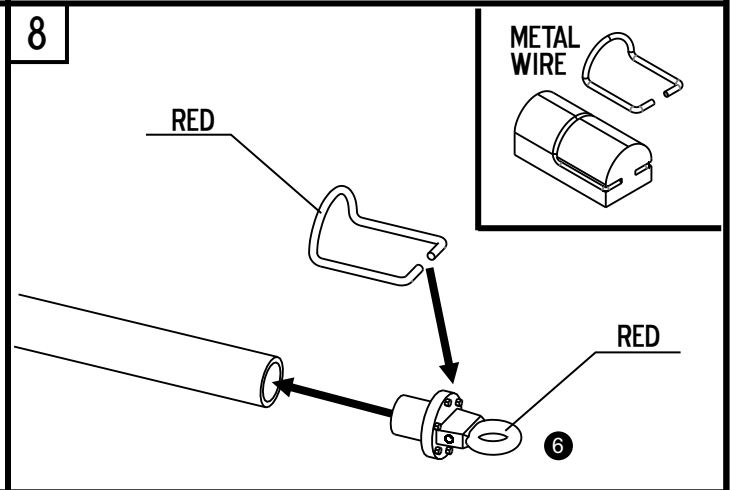
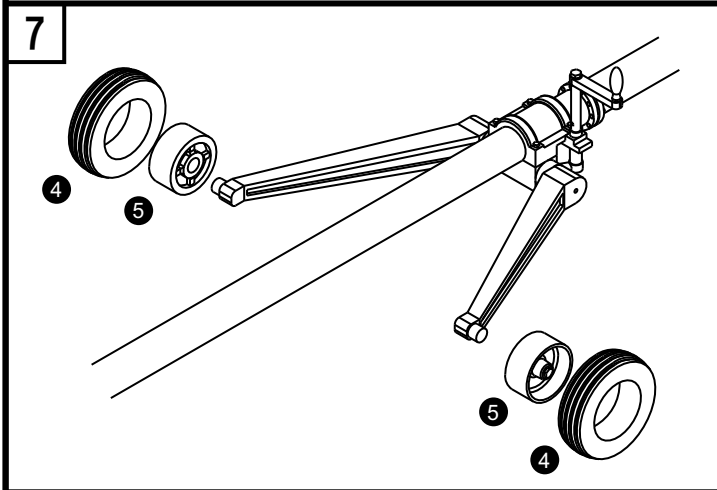
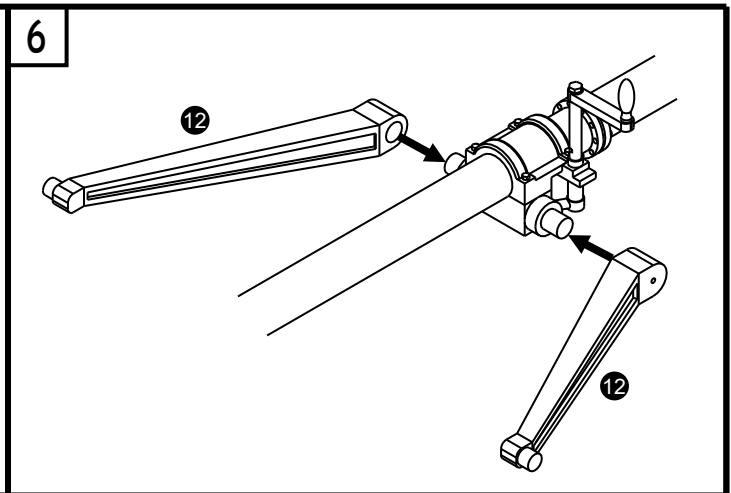
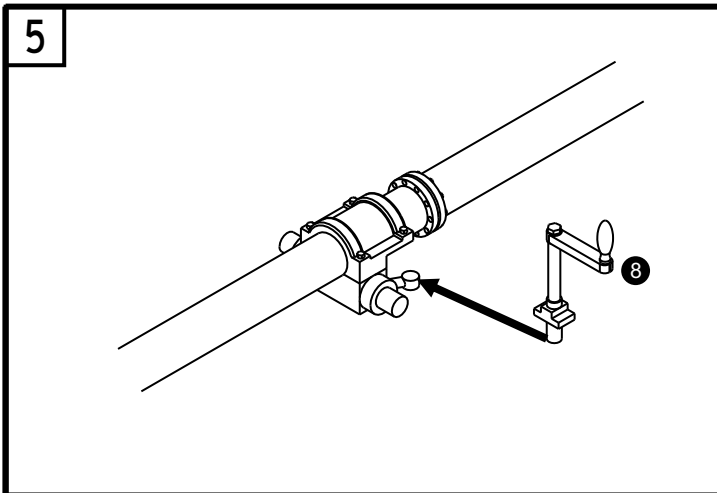


3

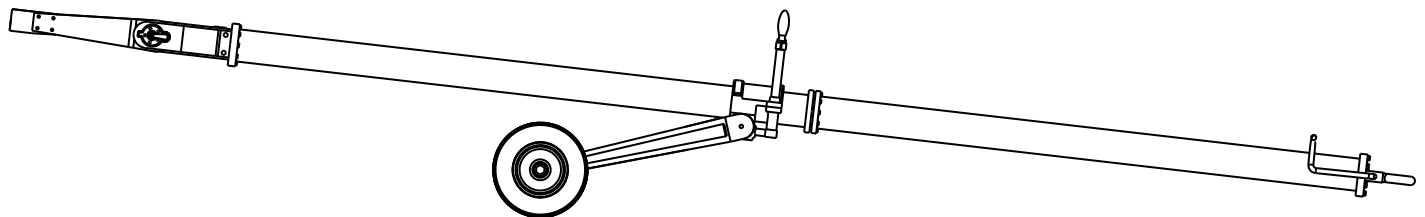


4





PAINTING INSTRUCTIONS



PAINT OVERALL: YELLOW FS13538 (GUNZE H34)
OR GREEN FS 24052 (MID-'80S) EXCLUDING THE PARTS
SPECIFIED IN THE INSTRUCTIONS. I RECOMMEND
PAINTING ALL THE PARTS BEFORE ASSEMBLY